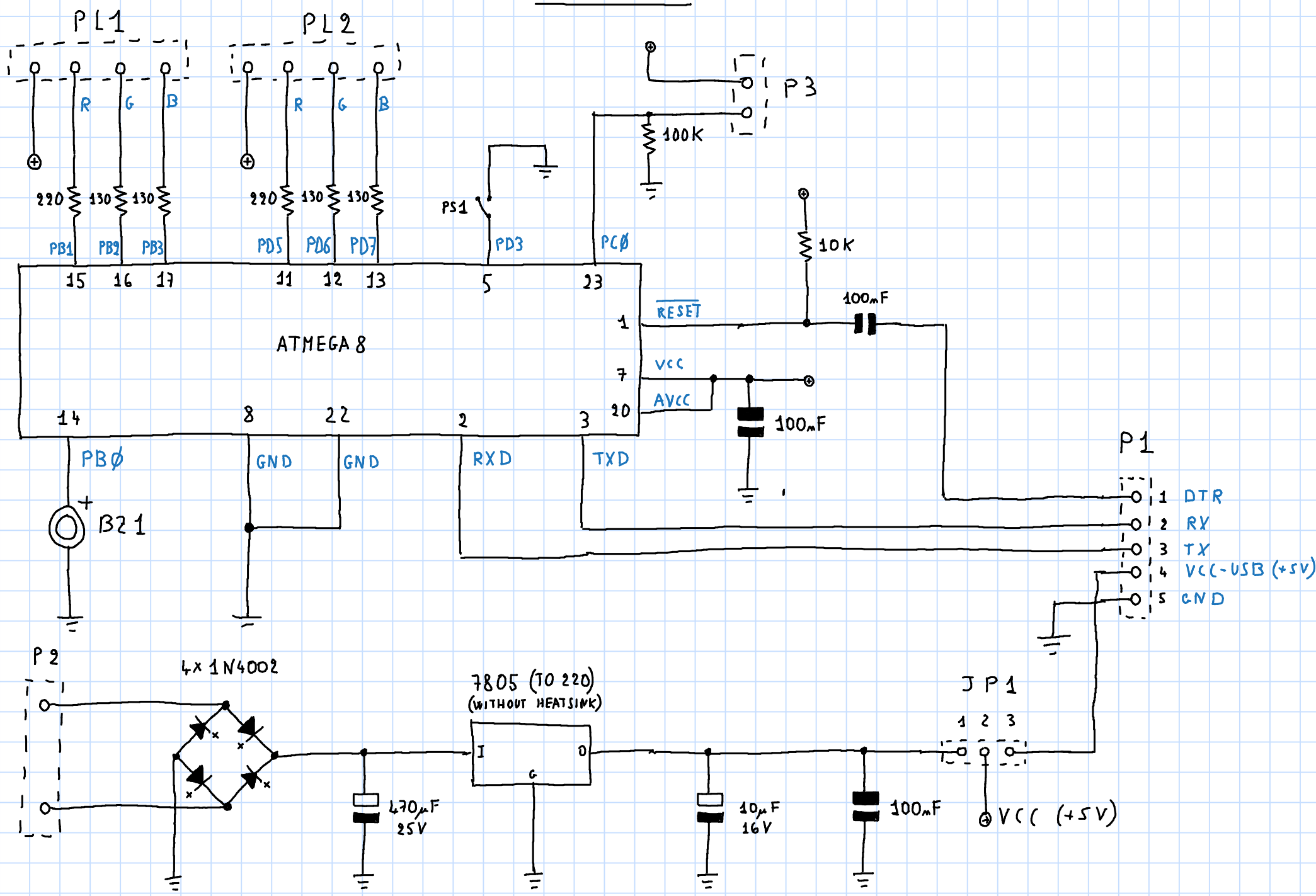
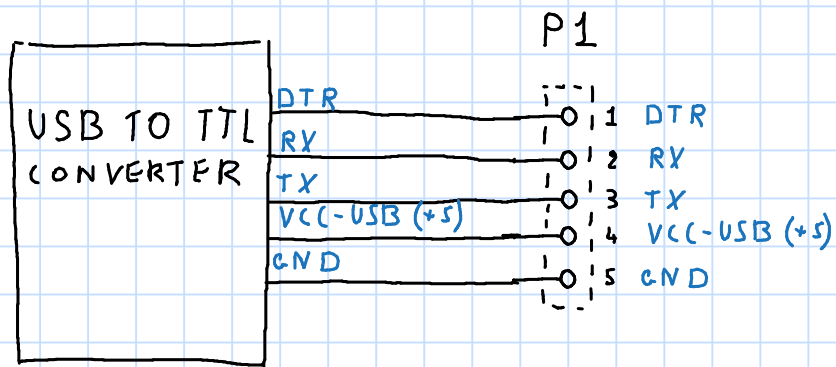
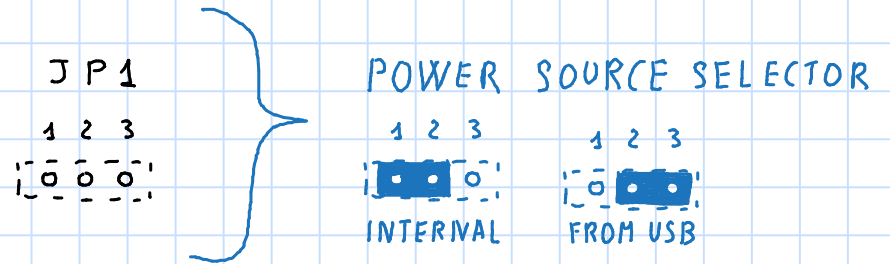
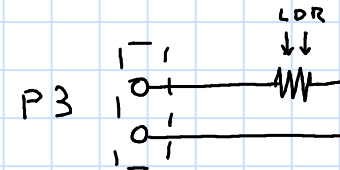
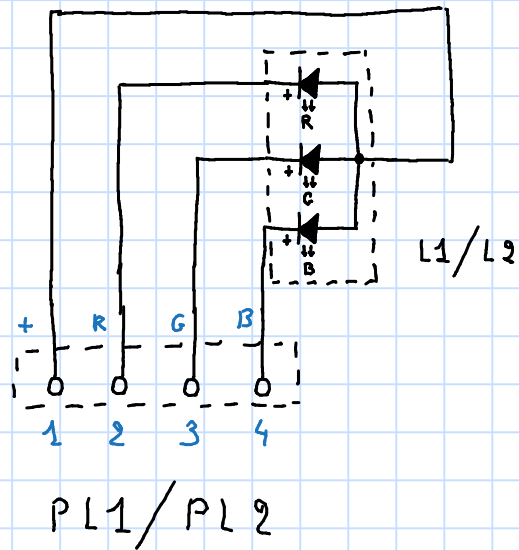


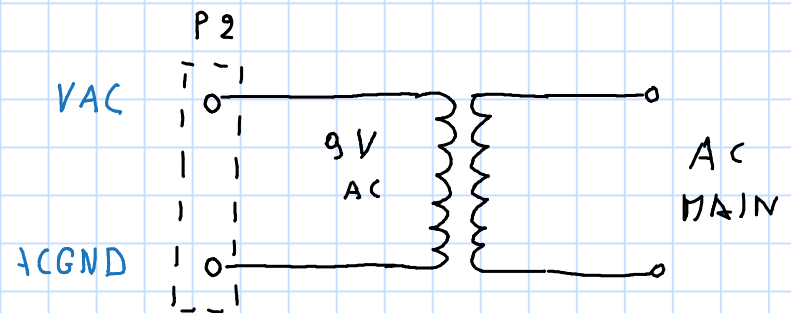
A220414



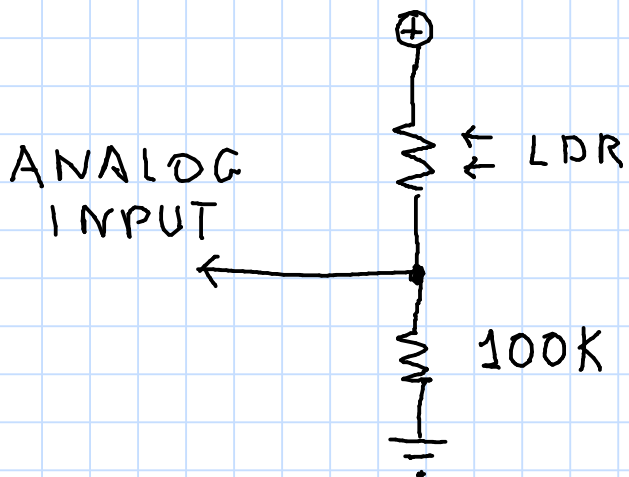
A220414 CONNECTORS



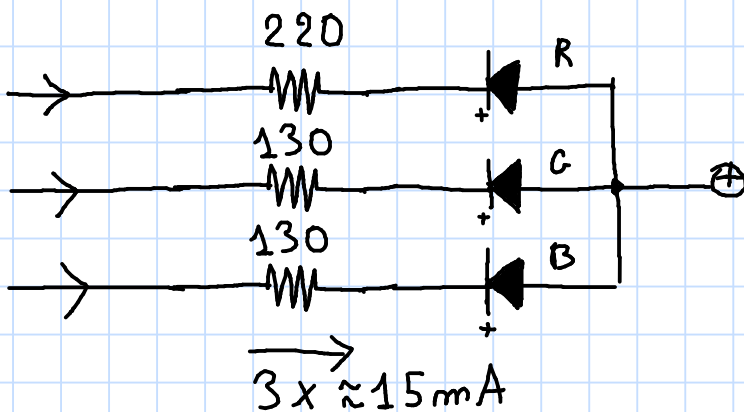
FOR FIRMWARE UPLOAD



LDR INPUT.



LED RGB:



ACTIVE LOW

$$V_{cc} = 5V$$

$$R = \frac{V_{cc} - V_F}{I_F}$$

$$B, G \rightarrow V_F \approx 3V$$

$$R \rightarrow V_F \approx 2V$$

$$R_{B,G} = 2 / 0,015 = 133 \Omega$$

$$R_R = 3 / 0,015 = 200 \Omega$$



COMMON ANODE
RGB LED